



**KOZANOĞLU
KOZMAKSAN**
HYDRAULIC PUMPS & POWER TAKE-OFFS MANUFACTURING LIMITED CO.
HİDROLİK POMPA ve ARA SANCIMAN PTO İMALAT SAN.LTD.ŞTİ.

KRD.16 OWNER'S INSTRUCTIONS

KRD.16 is a clutch PTO, specially designed for on-board equipment, for road maintenance vehicles, fire trucks, sewage trucks, snow plough vehicle and off-road vehicles. Power can be taken by main transmission or PTO, or Split Shaft PTO...etc... No matter the source power, with KRD.16 system can have **HOT SHIFT FEATURE**

1. DEFINITION

This PTO transmits the movement required for the operation of the equipments to the equipment which will operate with the same sense of rotation as the input. ATF 320 or equivalent oil should be used. The engage-disengage operation as pneumatic. There is no need to stop the vehicle shaft during engage/disengage operation. The lifetime of the product will be shortened if engage/disengage process will be done over 1000 RPM.

2. TECHNICAL DATA

2.1. MAIN INPUT-OUTPUT

Sense of Rotation : The same of input direction

Maximum Continuous Torque : 156 Kgm / 1528 (Nm) @ 1000 RPM

Maximum Instant Torque : 187 Kgm / 1833(Nm)

Maximum Rotation : 3500 RPM

PTO Types : ISO, UNI, FLANGE

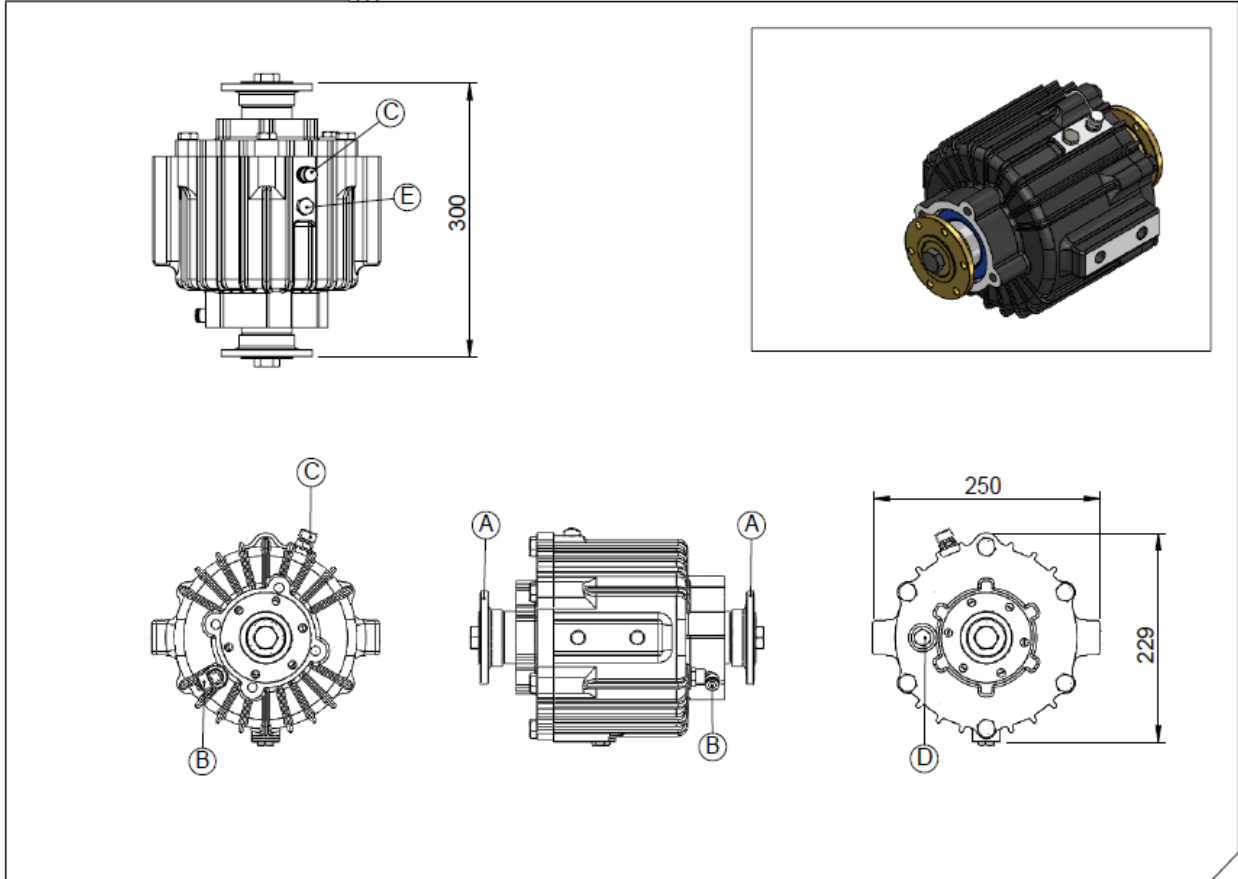
3. ENGAGE-DISENGAGE

The PTO unit is automatically operated with 6 - 8 bar air for engage- disengage



**KOZANOĞLU
KOZMAKSAN**
HYDRAULIC PUMPS & POWER TAKE-OFFS MANUFACTURING LIMITED CO.
HİDROLİK POMPA ve ARA ŞANZİMAN PTO İMALAT SAN. LTD. ŞTİ.

4. DIMENSIONS



5. SERVICE

OIL FILLING

The Clutch PTO is shipped as unooled. Oil should be filled into the Clutch PTO using the oil filling mechanism, before running the vehicle. The oil filling operation should be made on the ground. The correct oil level is the top level shown on the indicator. The oil should be totally clean. You are required to use only the recommended oil. **(ATF 320 or equivalent oil)** In case of using any oil other than the recommended oil, the vehicle is out of warranty coverage.

6. MAINTENANCE

6.1 OIL LEVEL CONTROL

Maintenance should be made before and after long trips. Maintenance should be made at ground level and when the vehicle is not running. In case the oil level is less than required, oil should be added.



**KOZANOĞLU
KOZMAKSAN**
HYDRAULIC PUMPS & POWER TAKE-OFFS MANUFACTURING LIMITED CO.
HİDROLİK POMPA ve ARA SANCIMAN PTO İMALAT SAN.LTD.ŞTİ.

6.2 OIL REPLACEMENT

Make sure that old oil is totally drained and make sure that you are using recommended (correct) oil.
In case of mixing old and new oil;

This situation is going to cause damage of components of gearbox (shaft, gear, bearing etc.)

6.3 OIL CHANGING

First oil changing should be made following 100 hours after the Reductor has started to run. Oil changing should be made when the oil is cold. Draining could be made by removing the drain plug. In order to accelerate the process, it is recommended to remove the filling plug also. Before re-starting, the drain plug is required to be cleaned. Subsequent oil replacements should be made once in every 1000 hours or once a year..

IMPORTANT

During oil replacement, do not touch the hot oil. Act in compliance with the country legislations in the disposal of the waste oil. Do not pollute the environment.

6.4 IDENTIFICATION of OIL LEAKS

Check for oil leaks periodically. Check for any oil leaks in the area where the vehicle is operated and the surroundings. In case of detecting any oil leaks,

Prevent oil leaking, add oil if necessary, contact with manufacturer firm KOZANOĞLU KOZMAKSAN.

6.5 GENERAL EQUIPMENT CONTROL

Check for equipments and parts of product periodically. If needed, make bolts tighten